

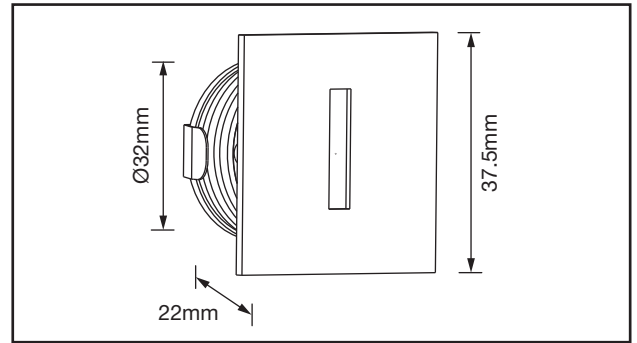
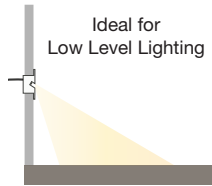
ALSQ032SC

1W LED 350mA IP65 Low Level

sloane
LINEAR

PRODUCT FEATURES

- IP65 Rated
- Anti-Glare Low Level Lighting
- Ideal For Stair And Commercial Lighting
- Ultra Slim Profile
- Dimmable With Dimmable LED Driver
- 350mA Constant Current (Series Wiring)
- 1m Pre-Wired Cable



TECHNICAL SPECIFICATIONS

PRODUCT CODE	ALSQ032SC/**/30	ALSQ032SC/**/40
Rated Power	1W	1W
Lumens	≤80lm	≤90lm
Beam Angle	50°	50°
Cct	3000K	4000K
Cri	>80	>80
Life Time	50,000 Hrs	50,000 Hrs
Operating Temperature	-20°C ~ +40°C	-20°C ~ +40°C
Operating Voltage	220-240V	220-240V
Pf	>0.5	>0.5
Frequency	50~60Hz	50~60Hz
Switching Cycles	<25,000	<25,000
Ingress Protection	IP65	IP65
Guarantee	3 Years	3 Years
Sdcm	<6	<6
Class	III	III



Brushed Aluminium
ALSQ032SC/AL



Polished Chrome
ALSQ032SC/PC



Polar White
ALSQ032SC/WH

